

Cilindro de Perfil Europeo



Aplicación

Compatible con cerraduras que utilizan el cilindro de Perfil Europeo.

Funcionamiento

Giro de 360° accionado por la llave o mariposa. Doble cilindro estándar, la inserción completa de la llave desactiva el otro lado.

Materiales

Cuerpo y tambor: latón
Leva y engranaje: acero
Pines: alpaca y acero inoxidable

Acabados estándar

Níquel satinado, latón, latón brillante

Acabados especiales

Níquel cromado, latón envejecido

Mecanismo del cilindro

Mul-T-Lock cuenta con un exclusivo mecanismo de pin telescópico de alta precisión resistente a la ganzúa y al taladro.

Llaves

Llave reversible de alpaca con cabeza de plástico e inserto de color. También disponible completamente en alpaca.

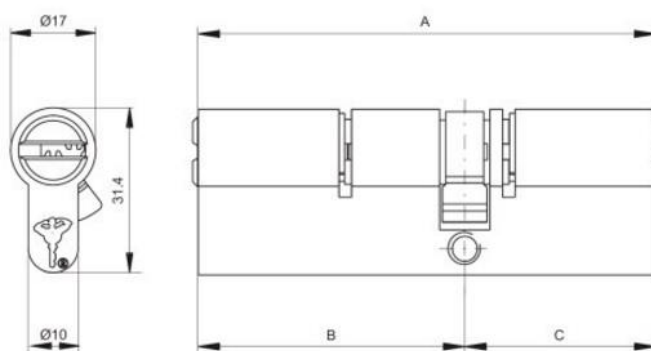
Opciones de cilindro

- Classic, Interactive+, MT5®
- Combinación distinta
- Combinación igualada
- Combinación master
- '3 EN 1' (cilindro semáforo)
- Variedad de mariposas, levas y engranajes
- Cilindro de "emergencia" con ambos lados funcionando simultáneamente

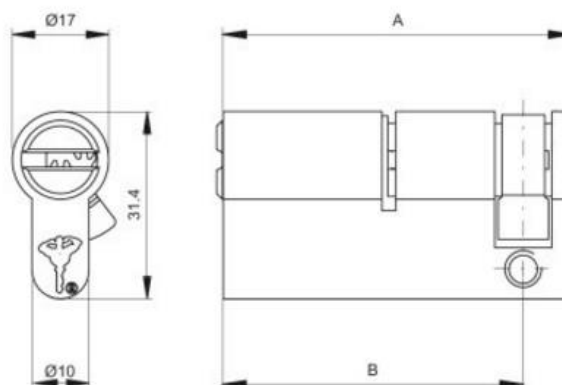
Estándares

ISI 950, EN1303

Doble cilindro



Medio cilindro



Cilindro de Perfil Suizo

Swiss Profile Cylinder



Application

Compatible with locks and lock cases using Swiss profile cylinder.

Operation

360° rotation by operating key or thumbturn. Standard double cylinder, full key insertion disengages other side.

Materials

Body and plug: high quality brass
Cam and cogwheel: steel
Pins: nickel silver and stainless steel

Standard finishes

Nickel satin, brass

Cylinder mechanism

Mul-T-Lock's unique, high precision pin tumbler system.

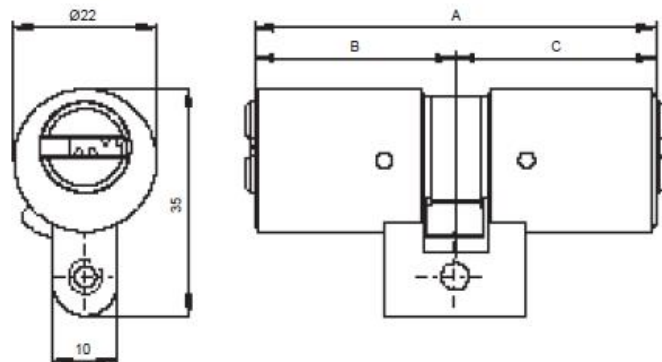
Keys

Reversible nickel silver key with plastic key head and colored insert.
Also available in all nickel silver.

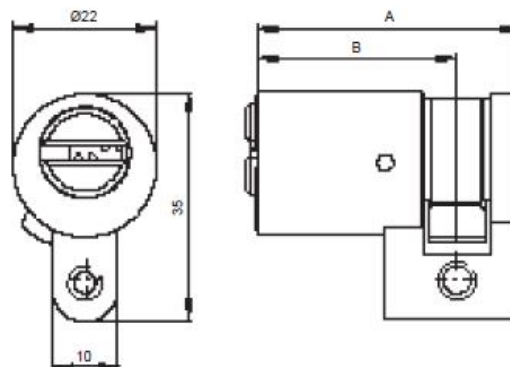
Cylinder options

- Classic, Interactive[®]+, MT5[®] platforms
- '3 IN 1' (changeable combination)
- Keyed different, keyed alike
- Master keyed
- Variety of thumbturns, cams and cogwheels
- Emergency cylinder with both sides permanently operational

Double cylinder



Si



Swiss Profile Cylinder

Lengths Available (mm)

Double cylinder

A	B	C	Chambers
62	31	31	5
66	31	35	5
66	33	33	5
70	35	35	5
71	31	40	5
71	38	33	5
75	40	35	5
76	31	45	5
76	38	38	5
80	40	40	5
80	45	35	5
81	31	50	5
85	45	40	5
86	31	55	5
86	43	43	5
90	55	35	5
91	31	60	5
95	55	35	5
95	55	40	5
96	31	65	5
105	65	40	5
145	75	70	5

Single cylinder

A	B	Chambers
42.5	33	5
44.5	35	5
47.5	38	5
49.5	40	5
54.5	45	5

Cilindro para cerradura Fichet

Cylinder for "Fichet" Type Rim Locks



Application

Compatible with "Fichet" type rim lock cases.

Operation

360° rotation by operating key.

Materials

Body and plug: high quality brass
Latch: cast alloy
Pins: nickel silver and stainless steel

Standard finishes

Nickel satin, brass

Cylinder mechanism

Mul-T-Lock's unique, high precision pin tumbler system.

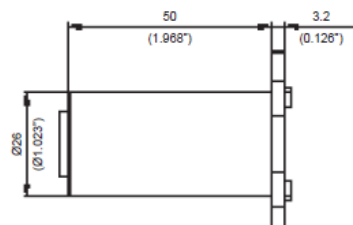
Keys

Reversible nickel silver key with plastic key head and colored insert. Also available in all nickel silver.

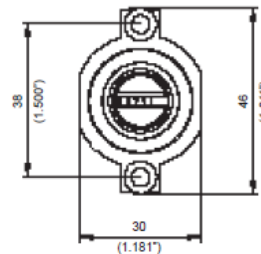
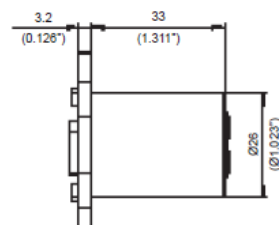
Cylinder options

- Classic, Interactive[®]+, MT5[®] platforms
- Keyed different, keyed alike
- Master keyed

External cylinder



Internal cylinder



Available as a pair of internal and external cylinders.

Cilindro para cerradura Fichet Monoblock

Cylinder for "Fichet" Type Mortise Locks



Application

Compatible with "Fichet" type mortise lock cases.

Operation

360° rotation by operating key.

Materials

Body and plug: high quality brass

Cam: steel

Pins: nickel silver and stainless steel

Standard finish

Nickel satin

Cylinder mechanism

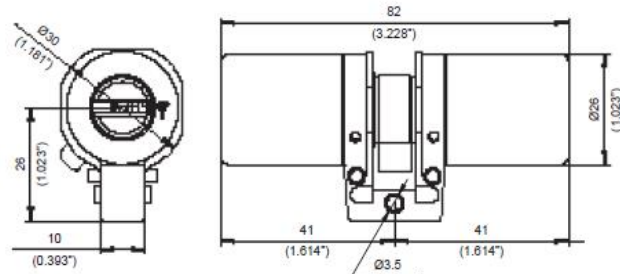
Mul-T-Lock's unique, high precision pin tumbler system.

Keys

Reversible nickel silver key with plastic key head and colored insert. Also available in all nickel silver.

Cylinder options

- Classic, Interactive®+ platforms
- Keyed different, keyed alike
- Master keyed



Cylinders

Cilindro RIM

Rim Cylinder

Cylinders



Application

Compatible with residential and commercial surface mounted door locksets. Interfaces with locksets of major brands. Suits wide range of lock mechanisms.

Operation

360° rotation by operating key.

Materials

Body and plug: high quality brass
Tail: steel
Pins: nickel silver and stainless steel

Standard finish

Nickel chrome matt, nickel chrome, shiny brass

Special finishes

Antique bronze, black, antique brass, PVD

Cylinder mechanism

Mul-T-Lock's unique, high precision pin tumbler system.

Keys

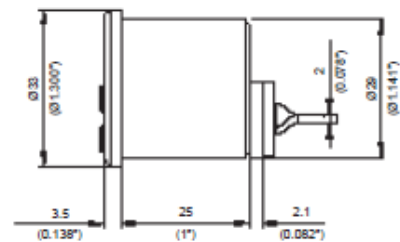
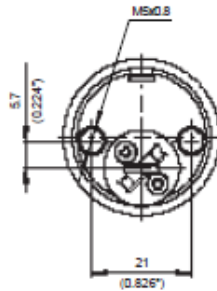
Reversible nickel silver key with plastic key head and colored insert. Also available in all nickel silver.

Cylinder options

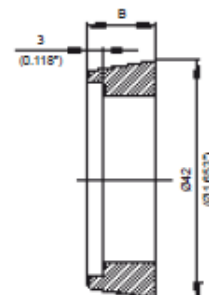
- Classic, Interactive[®]+, MT5[®] platforms
- '3 IN 1' (changeable combination)
- Keyed different, keyed alike
- Master keyed
- Variety of tails

Standards

ISI950



Spacer ring



B	
mm	Inch
Flat ring**	
5.7*	0.224*
8.9	0.350
12.2	0.480
15.5	0.610

*Supplied as standard

**For rim application

Tail options

